

PART NAME: KNOB SCALE: 1:1 DATE: 3/20/98 DR. BY: TD
 THIS DRAWING IS THE PROPERTY OF DAVIES MOLDING COMPANY, IS SUBMITTED SOLELY AS A DESIGN OR ENGINEERING PROJECT.
 WE ACCEPT NO RESPONSIBILITY WHATSOEVER FOR THE PRACTICAL APPLICATION OF THE PIECES MADE TO THIS DESIGN.

DAVIES MOLDING COMPANY
 CAROL STREAM, ILLINOIS 60188

P/N 1900-H
 BASE PART 1900-03
 SET SCREW 10511
 BRAND TF-0811

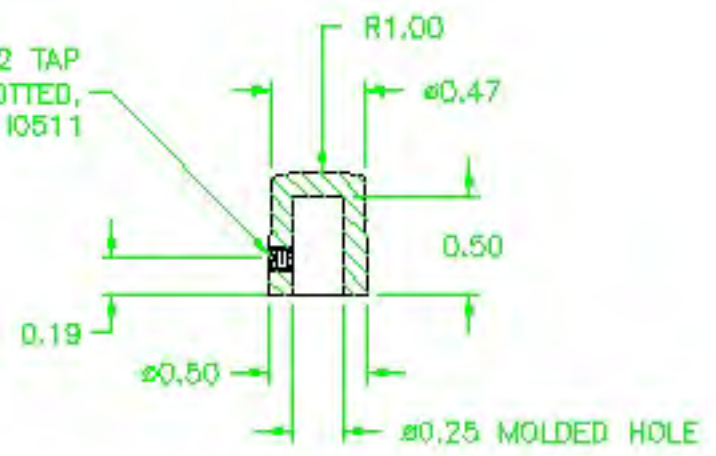
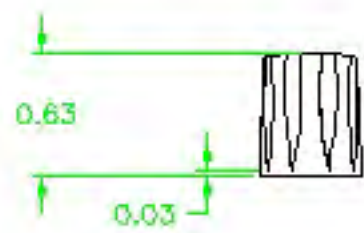
3/32 WIDE x 1/32 DEEP
 (8) SERRATIONS EQ. SPACED



BRAND T & F-811 AS SHOWN
 180° FROM SET SCREW, IN WHITE

R0.06

USE #36 DRILL (Ø1065), 6-32 TAP
 6-32 X 1/8, CUP POINT, SLOTTED,
 SET SCREW, 10511



MATERIAL: G.P. PHENOLIC (B11)
 COLOR: BLACK

| | | | | |
|---|----------------------------------|---------|----------------------|-------------|
| TOLERANCES: UNLESS OTHERWISE SPECIFIED | DO NOT SCALE DRAWING | | | |
| DECIMALS: X.XXX ± .005 X.XX ± .015 | MM: X.XX ± 0.15MM X.X ± 0.4MM | - | UNLESS/USE TOLERANCE | EV. 8/12/02 |
| FRACTIONS ± 1/64 | ANG. ± 1' | CHANGES | | |